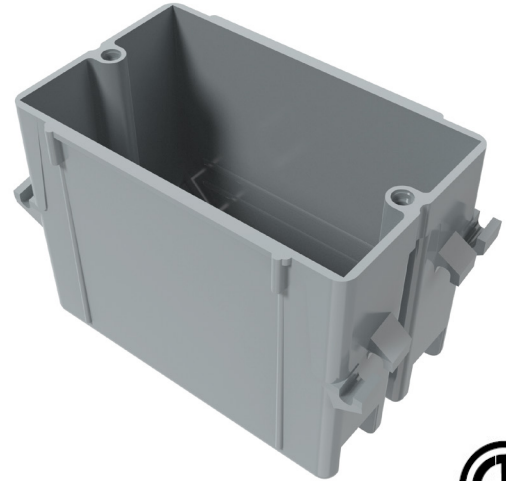
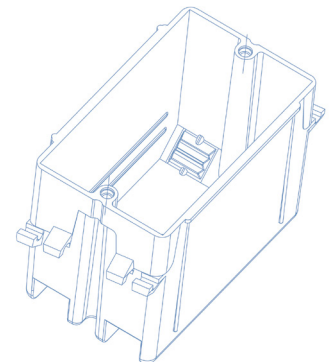
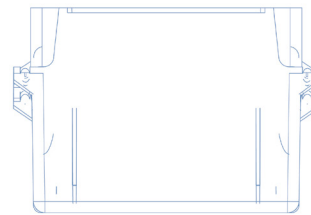
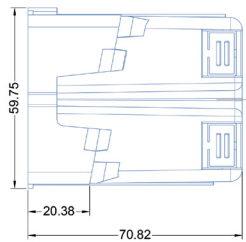
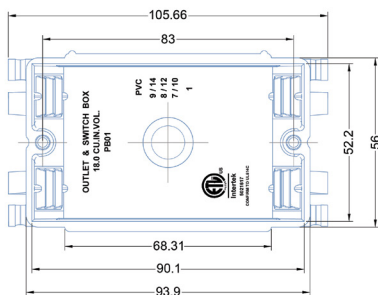


Plastic Electrical Boxes

Product Features	
Marathon Catalog Number	MARPEB1G18CN
Wesco Part Number	40156499128
Anixter Part Number	10550143
Size (in.)	3 3/4 x 2 1/4 x 2 7/8
Description	Plastic 1-Gang 18 cu. in. Switch Box with Nails
Shape	Rectangular
Material	PVC
Capacity (cu. in.)	18.0
Integral Clamps	4 (2 each end)
Gangs	1
Carton Size	100
Approvals	ETL with 2 hour fire rating



- 1-year full warranty free from defects in design, materials, and workmanship.



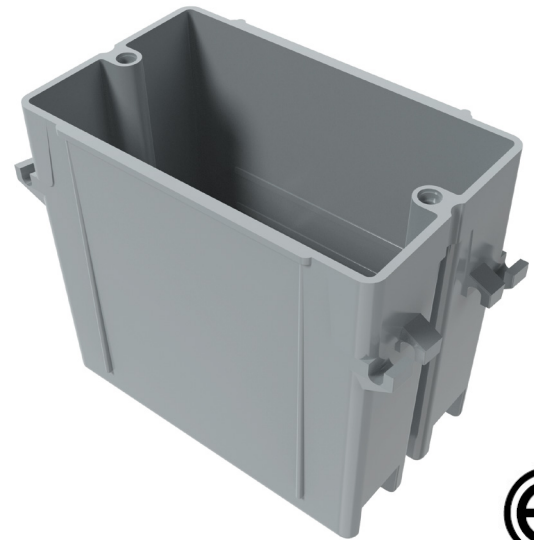
Marathon products are available from the following distributors:

Wesco
buy.wesco.com
 866.746.3519

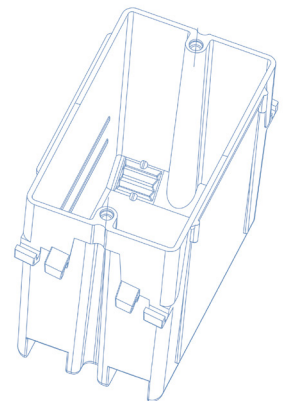
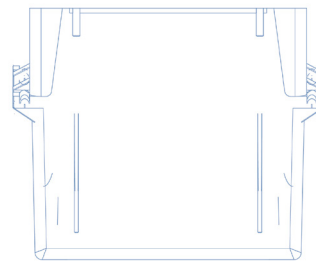
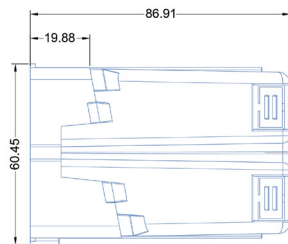
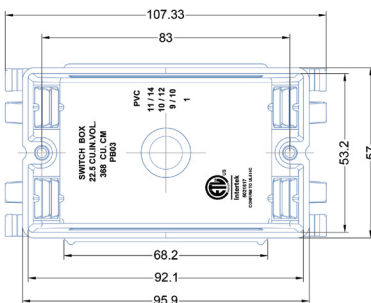
Anixter
www.Anixter.com
 866.746.3519

Plastic Electrical Boxes

Product Features	
Marathon Catalog Number	MARPEB1G22CN
Wesco Part Number	40156498900
Anixter Part Number	10550142
Size (in.)	3 3/4 x 2 1/4 x 3 1/2
Description	Plastic 1-Gang 22.5 cu. in. Switch Box with Nails
Shape	Rectangular
Material	PVC
Capacity (cu. in.)	22.0
Integral Clamps	4 (2 each end)
Gangs	1
Carton Size	100
Approvals	ETL with 2 hour fire rating



- 1-year full warranty free from defects in design, materials, and workmanship.



Marathon products are available from the following distributors:

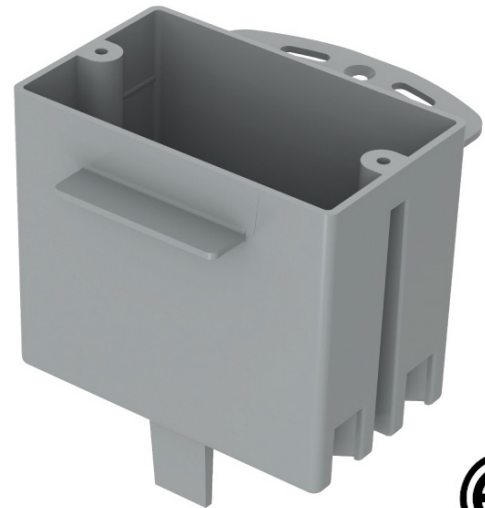
Wesco
buy.wesco.com
 866.746.3519

Anixter
www.Anixter.com
 866.746.3519

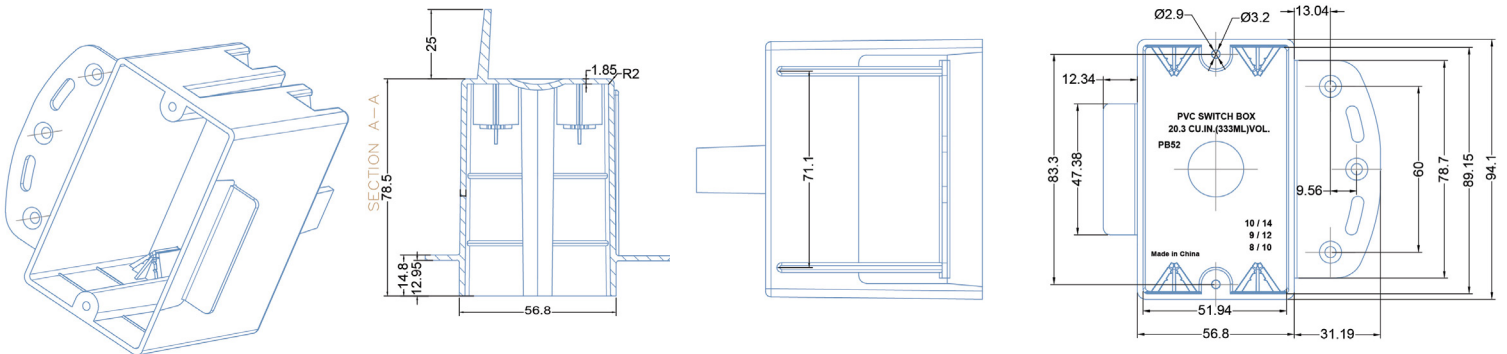
250733D011
 D251117-VF

Plastic Electrical Boxes

Product Features	
Marathon Catalog Number	MARPEB1GBRACK
Wesco Part Number	40156499125
Anixter Part Number	10550132
Size (in.)	3 11/16 X 2 1/4 X 3 3/16
Description	Plastic 1-Gang 20.3 cu. in. Electrical Outlet Box
Shape	Rectangular
Material	PVC
Capacity (cu. in.)	20.3
Integral Clamps	4
Gangs	1
Carton Size	100
Approvals	ETL with 2 hour fire rating



- 1-year full warranty free from defects in design, materials, and workmanship.



Marathon products are available from the following distributors:

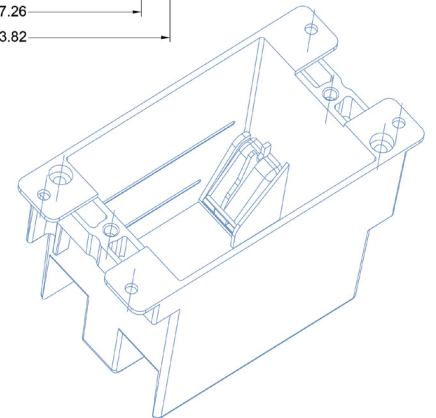
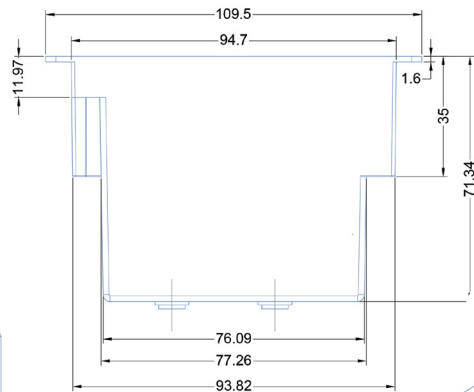
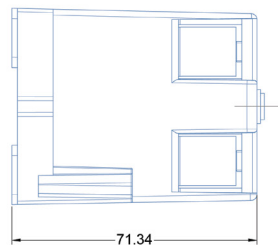
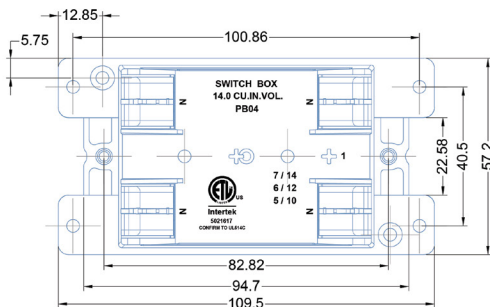
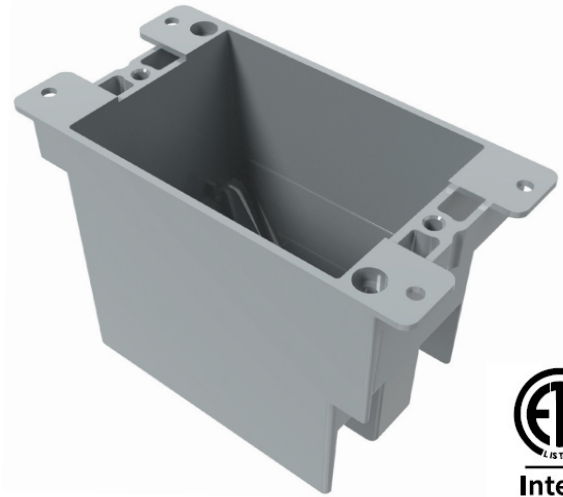
Wesco
buy.wesco.com
866.746.3519

Anixter
www.Anixter.com
866.746.3519

Plastic Electrical Boxes

Product Features	
Marathon Catalog Number	MARPEB1GQCBRK
Wesco Part Number	40156499124
Anixter Part Number	10550130
Size (in.)	4 1/8 x 2 1/4 x 2 3/4
Description	Plastic 1-Gang 14 cu. in. Box with Swing Bracket
Shape	Rectangular
Material	PVC
Capacity (cu. in.)	14.0
Integral Clamps	4 (2 each end)
Gangs	1
Carton Size	100
Approvals	ETL with 2 hour fire rating

- 1-year full warranty free from defects in design, materials, and workmanship.



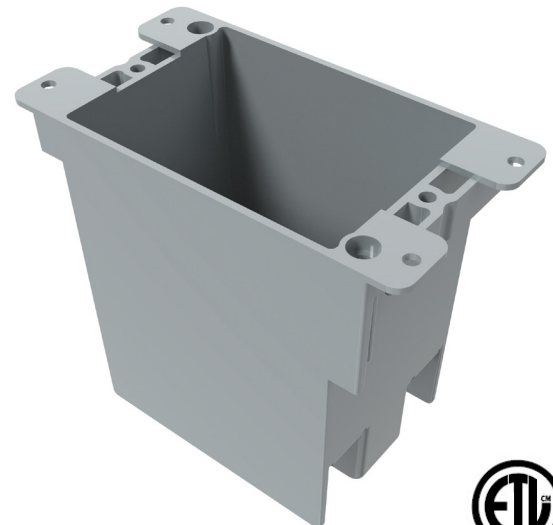
Marathon products are available from the following distributors:

Wesco
buy.wesco.com
 866.746.3519

Anixter
www.Anixter.com
 866.746.3519

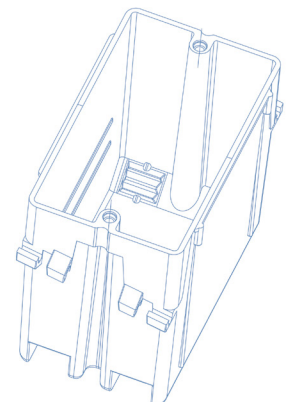
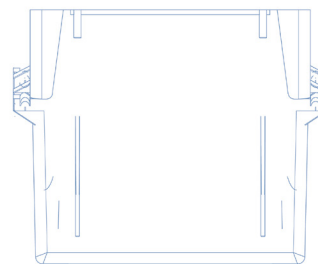
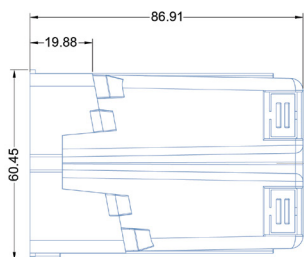
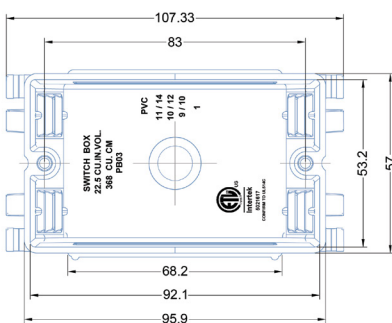
Plastic Electrical Boxes

Product Features	
Marathon Catalog Number	MARPEB1GSWGBRKT
Wesco Part Number	40156499122
Anixter Part Number	10550134
Size (in.)	3 ¾ x 2 ¼ x 3 ½
Description	Plastic 1-Gang 22 cu. in. Box with Quick Click Bracket
Shape	Rectangular
Material	PVC
Capacity (cu. in.)	22.0
Integral Clamps	4 (2 each end)
Gangs	1
Carton Size	50
Approvals	ETL with 2 hour fire rating



Intertek
5031564
Conforms to UL std 514C
2-HR-W

- 1-year full warranty free from defects in design, materials, and workmanship.



Marathon products are available from the following distributors:

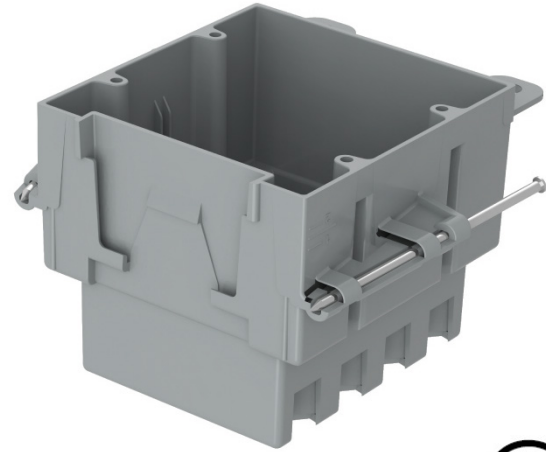
Wesco
buy.wesco.com
866.746.3519

Anixter
www.Anixter.com
866.746.3519

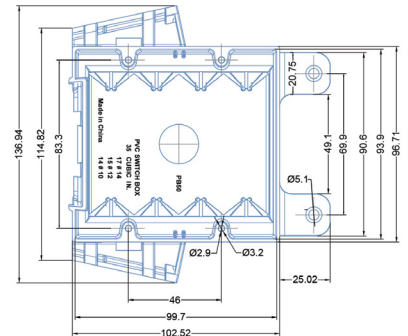
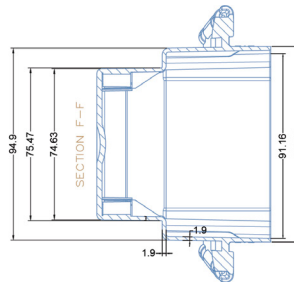
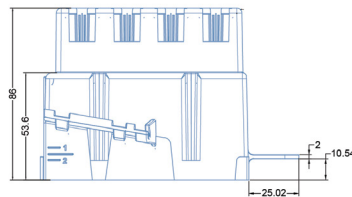
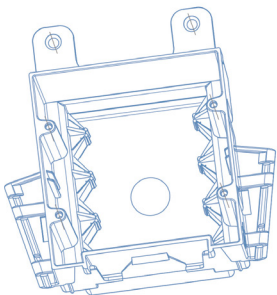
250733D008
D250918-VF

Plastic Electrical Boxes

Product Features	
Marathon Catalog Number	MARPEB2G35CN
Wesco Part Number	40156498899
Anixter Part Number	10550141
Size (in.)	3 ^{-31/32} X 3 ^{-31/32} X 3 ^{3/8}
Description	Plastic 2-Gang 35 cu. in. Switch Box with Nails
Shape	Rectangular
Material	PVC
Capacity (cu. in.)	35.0
Integral Clamps	4
Gangs	2
Carton Size	50
Approvals	ETL with 2 hour fire rating



- 1-year full warranty free from defects in design, materials, and workmanship.



Marathon products are available from the following distributors:

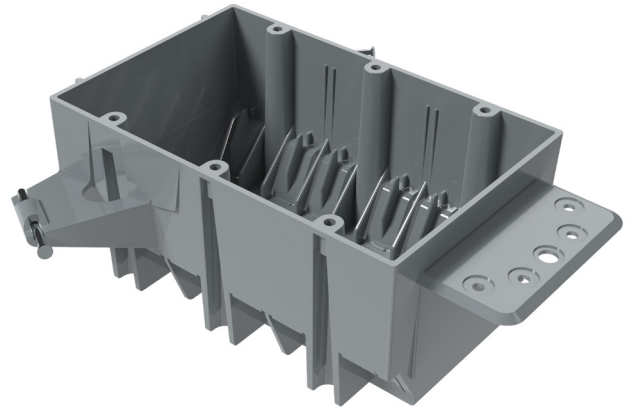
Wesco
buy.wesco.com
 866.746.3519

Anixter
www.Anixter.com
 866.746.3519

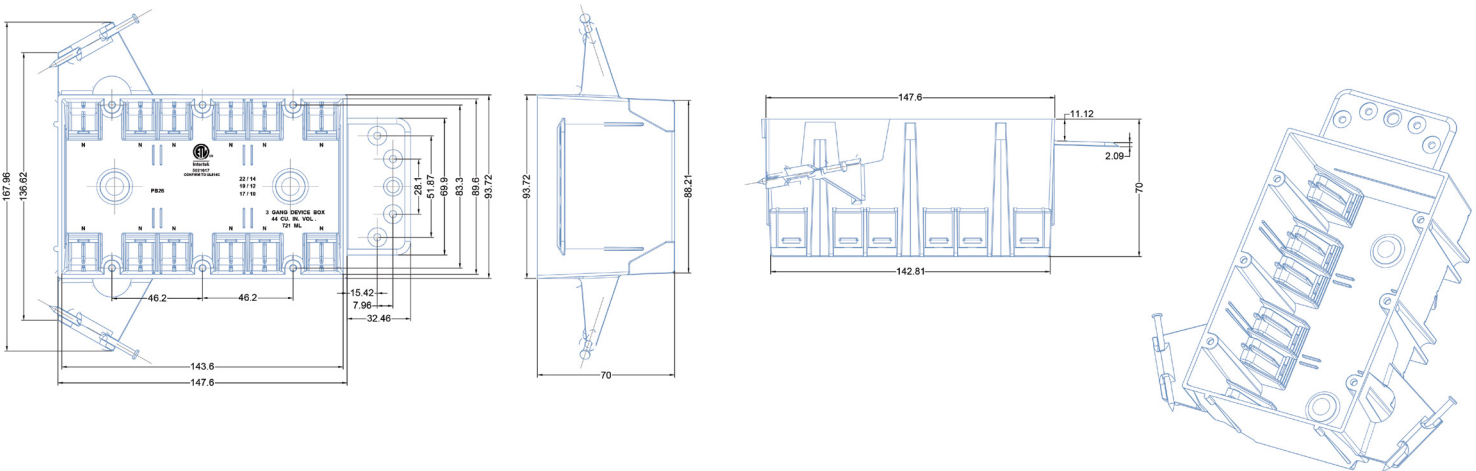
250733D010
 D251117-VF

Plastic Electrical Boxes

Product Features	
Marathon Catalog Number	MARPEB3GNOBRKTCL
Wesco Part Number	40156499118
Anixter Part Number	10550140
Size (in.)	5 ⁻⁵ / ₈ x 3 ⁻³ / ₄ x 2 ¹¹ / ₁₆
Description	Plastic 3-Gang 44 cu. in. Nail-on Outlet Box
Shape	Rectangular
Material	PVC
Capacity (cu. in.)	44.0
Integral Clamps	12 (6 each side)
Gangs	3
Carton Size	50
Approvals	ETL with 2 hour fire rating



- 1-year full warranty free from defects in design, materials, and workmanship.



Marathon products are available from the following distributors:

Wesco
buy.wesco.com
 866.746.3519

Anixter
www.Anixter.com
 866.746.3519

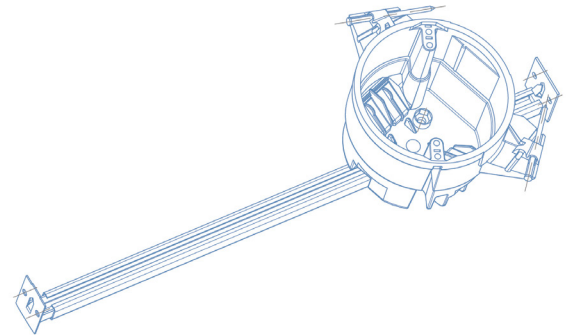
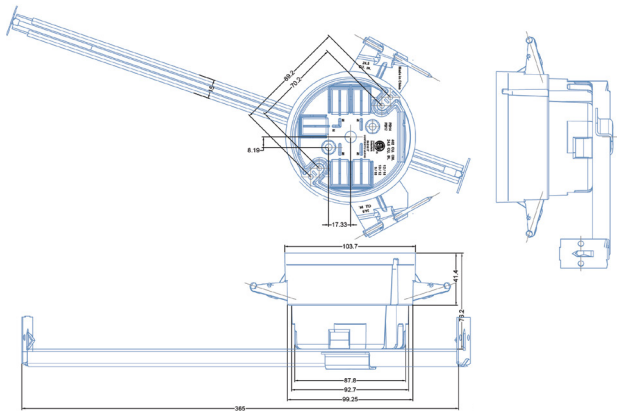
250733D009
 D250918-VF

Plastic Electrical Boxes

Product Features	
Marathon Catalog Number	MARPEB4RDC1AJHG
Wesco Part Number	40156499117
Anixter Part Number	10550138
Description	Plastic 1-Gang 4 in. Round Ceiling Box 24.5 cu. in. with Large Adjustable Bar Hanger
Shape	Round
Diameter (in.)	4.0
Depth (in.)	3.0
Material	PVC
Capacity (cu. in.)	24.5
Integral Clamps	6
Gangs	1
Carton Size	50
Approvals	ETL with 2 hour fire rating



- 1-year full warranty free from defects in design, materials, and workmanship for fixture luminaire/support.



Marathon products are available from the following distributors:

Wesco
buy.wesco.com
 866.746.3519

Anixter
www.Anixter.com
 866.746.3519

250733D004
 D250918-VF

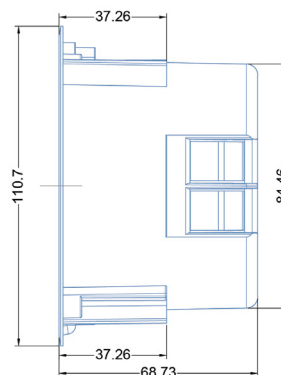
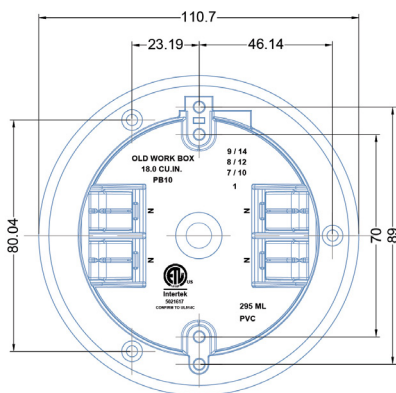
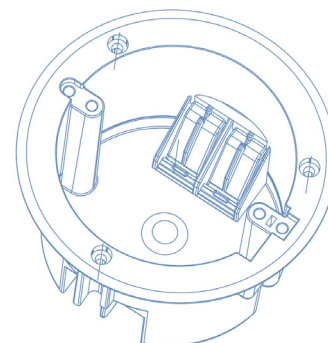
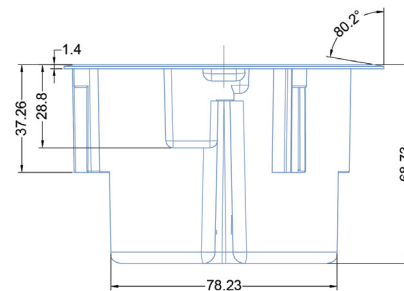
Plastic Electrical Boxes

Product Features	
Marathon Catalog Number	MARPEB4RDC1HGR
Wesco Part Number	40156499115
Anixter Part Number	10550131
Description	Plastic 1-Gang 4 in. Round Ceiling box 20.5 cu. in. with Adjustable Base
Shape	Round
Diameter (in.)	4.0
Depth (in.)	2.3
Material	PVC
Capacity (cu. in.)	20
Integral Clamps	6
Gangs	1
Carton Size	50
Approvals	ETL with 2 hour fire rating

- 1-year full warranty free from defects in design, materials, and workmanship for fixture luminaire/support.



Intertek
5031564
Conforms to UL std 514C
2-HR-C



Marathon products are available from the following distributors:

Wesco
buy.wesco.com
866.746.3519

Anixter
www.Anixter.com
866.746.3519

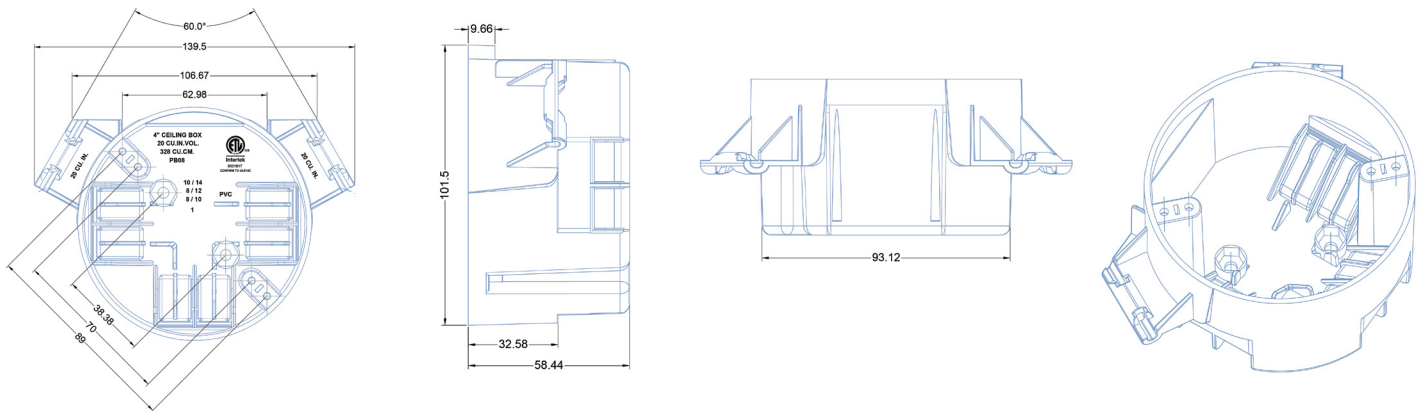
Plastic Electrical Boxes

Product Features	
Marathon Catalog Number	MARPEB4RDC1NO
Wesco Part Number	40156499114
Anixter Part Number	110550135
Description	Plastic 1-Gang 4 in. Round Ceiling Box 20.5 cu. in. Nail-on
Shape	Round
Diameter (in.)	4.0
Depth (in.)	2.3
Material	PVC
Capacity (cu. in.)	20.5
Integral Clamps	6
Gangs	1
Carton Size	75
Approvals	ETL with 2 hour fire rating



Intertek
5031564
Conforms to UL std 514C
2-HR-C

- 1-year full warranty free from defects in design, materials, and workmanship for fixture luminaire/support.



Marathon products are available from the following distributors:

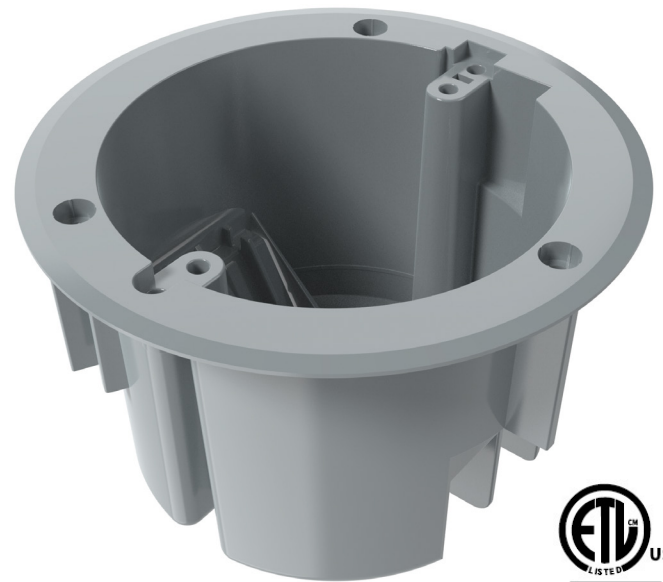
Wesco
buy.wesco.com
866.746.3519

Anixter
www.Anixter.com
866.746.3519

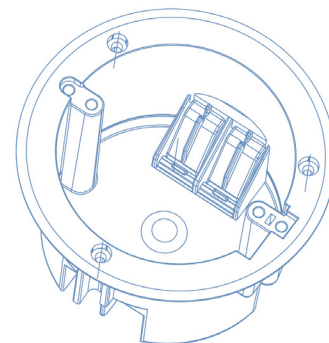
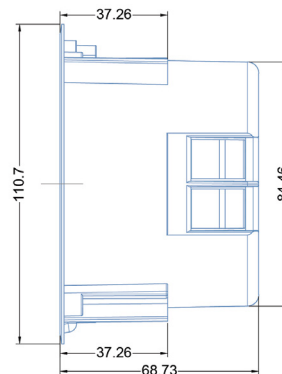
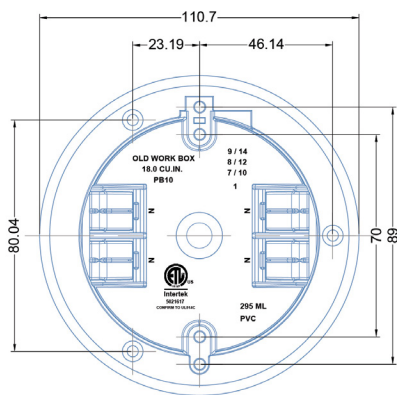
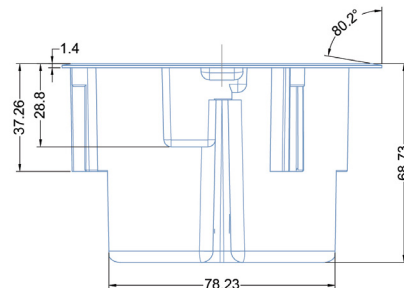
250733D003
D250918-VF

Plastic Electrical Boxes

Product Features	
Marathon Catalog Number	MARPEB375RDC1
Wesco Part Number	40156499119
Anixter Part Number	10550129
Description	Plastic 1-Gang - 3.75 in. - 18 cu. in. Round Old Work Box
Shape	Round
Diameter (in.)	3.8
Depth (in.)	1.7
Material	PVC
Capacity (cu. in.)	18.0
Integral Clamps	4
Gangs	1
Carton Size	50
Approvals	ETL with 2 hour fire rating



- 1-year full warranty free from defects in design, materials, and workmanship for fixture luminaire/support.



Marathon products are available from the following distributors:

Wesco
buy.wesco.com
866.746.3519

Anixter
www.Anixter.com
866.746.3519

250733D001
D250918-VF